

Series 550

SPECIFICATIONS

技術資料

H Type Terminal Blocks (550系列)

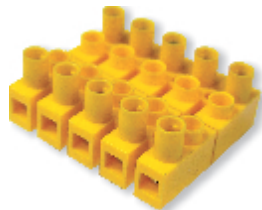
印刷線路板用貫通式接線端子座 - 對插操作

Front Wire Inlet Type - Top Screw, Spacing 8.0mm,
Height Over PC-Board 15.0mm

前方入線型 · 間距8.0mm · 殼體高度15.0mm



550-053-00-00 (Female)



550-051-00-00
& 550-053-00-00



550-051-00-00 (Male)



RoHS

MATERIAL 材料

- **Contact 觸點(metal housing 金屬殼體):**
Brass, Tin plated / 黃銅 · 銅錫電鍍
- **Terminal Screw 螺絲:**
Steel galvanized and chromated / 鋼 · 五彩電鍍
- **Wire Guard 保護片:**
Brass, Tin plated / 黃銅 · 鍍錫
- **Insulator Body 絕緣體(housing 殼體)**
Polyamide PA66 (UL 94 V-0) / 尼龍PA66 (UL 94 V-0)

ELECTRICAL 電機方面

- **Current Rating 工作電流:** 6 Amp
- **Rated Voltage 額定電壓:** 380V
- **AWG 適用線號:** 22 - 14
- **Resistance to Tracking 絕緣阻值:** 5MΩ
- **Insulation Withstands Voltage 耐電壓:** AC1500V/Min

MECHANICAL 機械方面

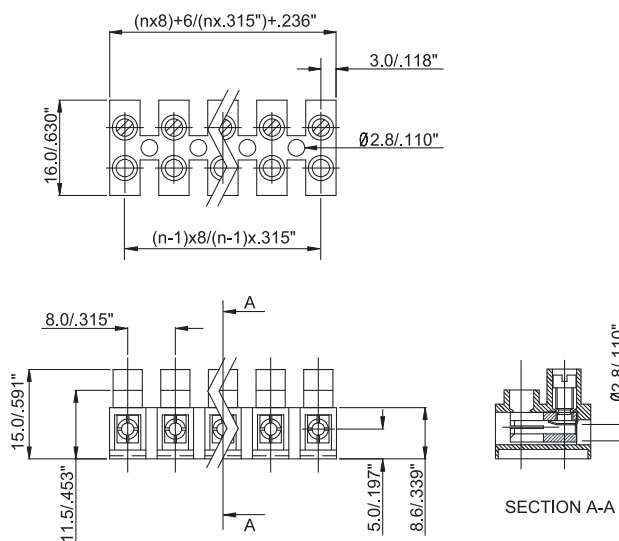
- **Operating Temperature 工作溫度:** +100°C
- **Short Time Peak Temperature 短暫能容溫度:** +200°C max

H Type Terminal Blocks

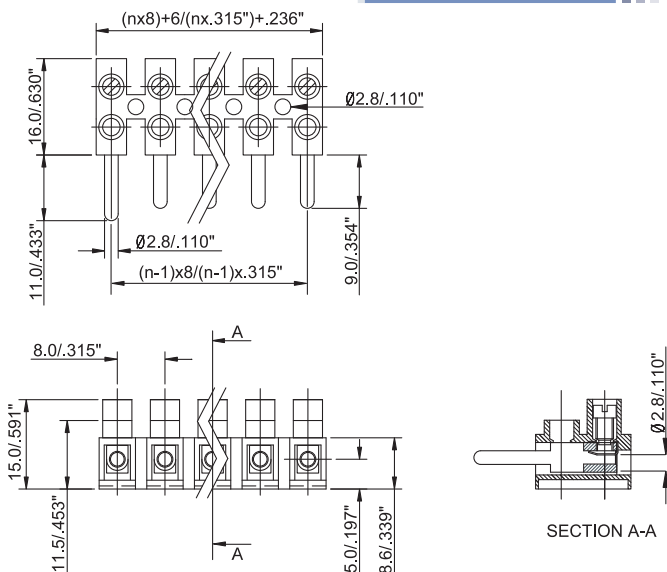
Series 550

Terminal Blocks Catalog

FEMALE TYPE



MALE TYPE



*n = number of contacts

HOW TO ORDER 排序整理

